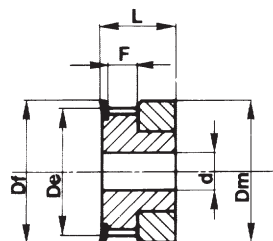


**Zahnriemenscheiben HTD®, Standard**  
**Poulies pour courroies dentées HTD®, standard**

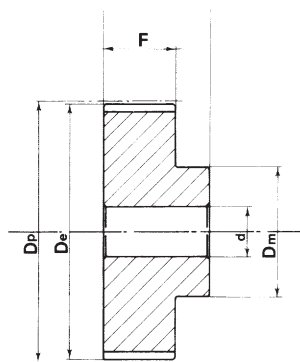


Ausführungen

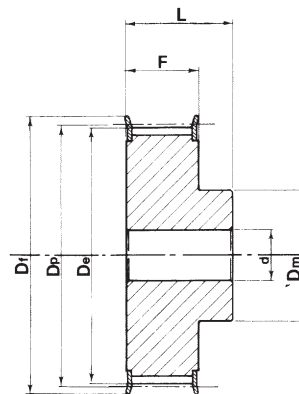
Modèles



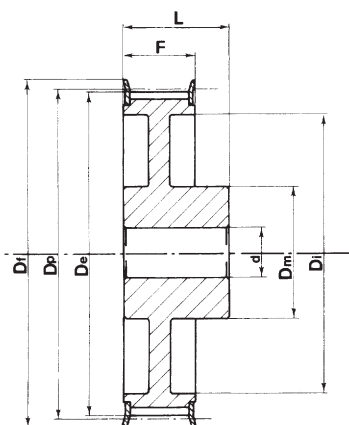
**Fig. 1F**



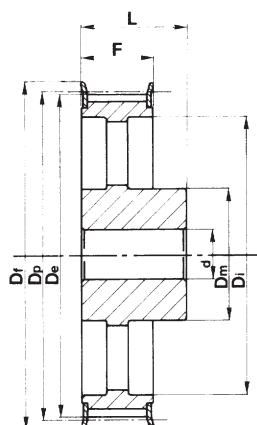
**Fig. 6**



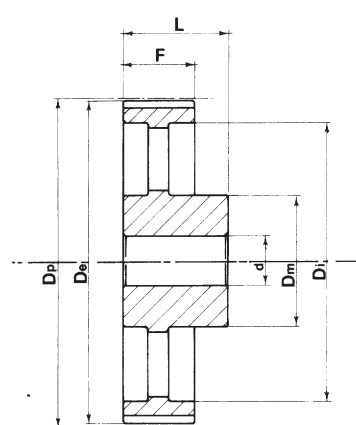
**Fig. 6F**



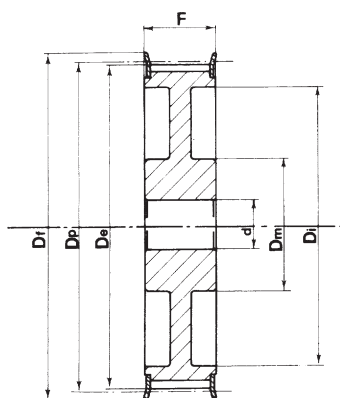
**Fig. 6WF**



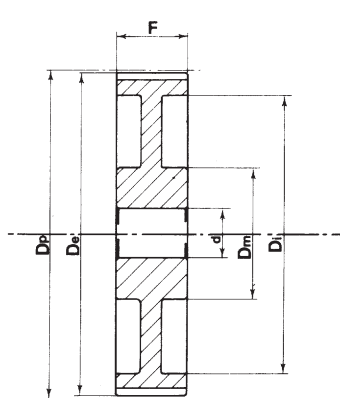
**Fig. 6AF**



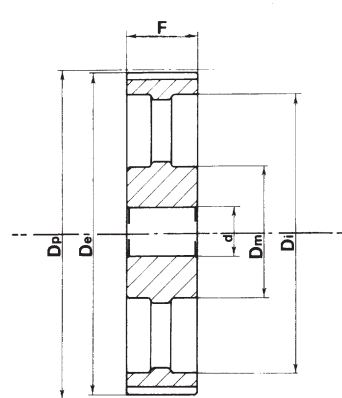
**Fig. 6A**



**Fig. 10WF**



**Fig. 10W**



**Fig. 10A**

**Zahnriemenscheiben HTD®, Standard**  
**Poulies pour courroies dentées HTD®, standard**



5M-09											
	Typ	Fig	Zähnezahl Nombre de dents	Dp	De	Df	Dm	F	L	Vorbohrung Préalésage	
Mit Bordscheiben Avec flasques	12-5M-09	6F	12	19,10	17,96	23,0	13,0	14,5	20,0	4,0	
	14-5M-09	6F	14	22,28	21,14	25,0	14,0	14,5	20,0	6,0	
	15-5M-09	6F	15	23,87	22,73	28,0	16,0	14,5	20,0	6,0	
	16-5M-09	6F	16	25,46	24,32	28,0	16,5	14,5	20,0	6,0	
	18-5M-09	6F	18	28,65	27,51	32,0	20,0	14,5	20,0	6,0	
	20-5M-09	6F	20	31,83	30,69	36,0	23,0	14,5	22,5	6,0	
	21-5M-09	6F	21	33,42	32,28	38,0	24,0	14,5	22,5	6,0	
	22-5M-09	6F	22	35,01	33,87	38,0	25,5	14,5	22,5	6,0	
	24-5M-09	6F	24	38,20	37,06	42,0	27,0	14,5	22,5	6,0	
	26-5M-09	6F	26	41,38	40,24	44,0	30,0	14,5	22,5	6,0	
	28-5M-09	6F	28	44,56	43,42	48,0	30,5	14,5	22,5	6,0	
	30-5M-09	6F	30	47,75	46,60	51,0	35,0	14,5	22,5	6,0	
	32-5M-09	6F	32	50,93	49,79	54,0	38,0	14,5	22,5	8,0	
	36-5M-09	6F	36	57,30	56,16	60,0	38,0	14,5	22,5	8,0	
	40-5M-09	6F	40	63,66	62,52	71,0	38,0	14,5	22,5	8,0	
	Ohne Bordscheiben Sans flasques	44-5M-09	6W	44	70,03	68,89	–	38,0	14,5	25,5	8,0
48-5M-09		6W	48	76,39	75,25	–	45,0	14,5	25,5	8,0	
60-5M-09		6W	60	95,49	94,35	–	45,0	14,5	25,5	8,0	
72-5M-09		6W	72	114,59	113,45	–	45,0	14,5	25,5	8,0	

## Zahnriemenscheiben HTD®, Standard

### Poulies pour courroies dentées HTD®, standard



5M-15											
	Typ	Fig.	Zähnezahl Nombre de dents	Dp	De	Df	Dm	F	L	Vorbereitung Préalésage	
Mit Bord- scheiben <i>Avec flasques</i>	12-5M-15	6F	12	19,10	17,96	23,0	13,0	20,5	26,0	4,0	
	14-5M-15	6F	14	22,28	21,14	25,0	14,0	20,5	26,0	6,0	
	15-5M-15	6F	15	23,87	22,73	28,0	16,0	20,5	26,0	6,0	
	16-5M-15	6F	16	25,46	24,32	28,0	16,5	20,5	26,0	6,0	
	18-5M-15	6F	18	28,65	27,51	32,0	20,0	20,5	26,0	6,0	
	20-5M-15	6F	20	31,83	30,69	36,0	23,0	20,5	26,0	6,0	
	21-5M-15	6F	21	33,42	32,28	38,0	24,0	20,5	26,0	6,0	
	22-5M-15	6F	22	35,01	33,87	38,0	25,5	20,5	26,0	6,0	
	24-5M-15	6F	24	38,20	37,06	42,0	27,0	20,5	28,0	6,0	
	26-5M-15	6F	26	41,38	40,24	44,0	30,0	20,5	28,0	6,0	
	28-5M-15	6F	28	44,56	43,42	48,0	30,5	20,5	28,0	6,0	
	30-5M-15	6F	30	47,75	46,60	51,0	35,0	20,5	28,0	6,0	
	32-5M-15	6F	32	50,93	49,79	54,0	38,0	20,5	28,0	8,0	
	36-5M-15	6F	36	57,30	56,16	60,0	38,0	20,5	28,0	8,0	
40-5M-15	6F	40	63,66	62,52	71,0	38,0	20,5	28,0	8,0		
Ohne Bord- scheiben <i>Sans flasques</i>	44-5M-15	6W	44	70,03	68,89	–	38,0	20,5	30,0	8,0	
	48-5M-15	6W	48	76,39	75,25	–	38,0	20,5	30,0	8,0	
	60-5M-15	6W	60	95,49	94,35	–	50,0	20,5	30,0	8,0	
	72-5M-15	6W	72	114,59	113,45	–	50,0	20,5	30,0	8,0	

5M-25											
	Typ	Fig.	Zähnezahl Nombre de dents	Dp	De	Df	Dm	F	L	Vorbereitung Préalésage	
Mit Bord- scheiben <i>Avec flasques</i>	12-5M-25	6F	12	19,10	17,96	23,0	13,0	30,5	36,0	4,0	
	14-5M-25	6F	14	22,28	21,14	25,0	14,0	30,5	36,0	6,0	
	15-5M-25	6F	15	23,87	22,73	28,0	16,0	30,5	36,0	6,0	
	16-5M-25	6F	16	25,46	24,32	28,0	16,5	30,5	36,0	6,0	
	18-5M-25	6F	18	28,65	27,51	32,0	20,0	30,5	36,0	6,0	
	20-5M-25	6F	20	31,83	30,69	36,0	23,0	30,5	36,0	6,0	
	21-5M-25	6F	21	33,42	32,28	38,0	24,0	30,5	38,0	6,0	
	22-5M-25	6F	22	35,01	33,87	38,0	25,5	30,5	38,0	6,0	
	24-5M-25	6F	24	38,20	37,06	42,0	27,0	30,5	38,0	6,0	
	26-5M-25	6F	26	41,38	40,24	44,0	30,0	30,5	38,0	6,0	
	28-5M-25	6F	28	44,56	43,42	48,0	30,5	30,5	38,0	6,0	
	30-5M-25	6F	30	47,75	46,60	51,0	35,0	30,5	38,0	6,0	
	32-5M-25	6F	32	50,93	49,79	54,0	38,0	30,5	38,0	8,0	
	36-5M-25	6F	36	57,30	56,16	60,0	38,0	30,5	38,0	8,0	
40-5M-25	6F	40	63,66	62,52	71,0	38,0	30,5	38,0	8,0		
Ohne Bord- scheiben <i>Sans flasques</i>	44-5M-25	6	44	70,03	68,89	–	38,0	30,5	40,0	8,0	
	48-5M-25	6W	48	76,39	75,25	–	38,0	30,5	40,0	8,0	
	60-5M-25	6W	60	95,49	94,35	–	50,0	30,5	40,0	8,0	
	72-5M-25	6W	72	114,59	113,45	–	50,0	30,5	40,0	8,0	